

EET 主机传令钟系统 Marine engine telegraph system

► 概述

Overview

EET型主机传令钟是船舶在主车钟失效的情况下，由驾驶室向机舱或集控室发送操机指令，再由操机人员回复执行情况的信号联络装置。

主机传令钟由发信器、收信器和电源控制模块组成。发信器安装在驾控台上，收信器安装在主机旁或集控台，电源控制模块安装在驾控台或集控台内。发信器设有调光、试灯、消音等按钮，具有主电失电报警、错向报警及延伸报警接口。

Marine engine telegraph (EET) is a signal connection device by which the wheelhouse sends out an operation command to the engine room or engine control room in case the failure of main engine telegraph, then the crew reply the implementation.

Marine engine telegraph is composed of transmitter, receiver and power supply control module. The transmitter is installed on the wheelhouse control console, the receiver is installed near the main engine or on the engine control console, and the power module is installed in the wheelhouse control console or engine control console. The transmitter is equipped with dimming, lamp testing, muting and other buttons, which has main power failure alarm, misorientation alarm and extended alarm interfaces.



► 产品特点

Product features

- 控制面板采用LED指示、按键操作，外形美观，指示清晰，便于操作与维护；
The control panel is provided with LED display and key operation, with nice appearance, clear indication, and easy to operate and maintain;
- 控制面板具有本地调光功能，同时具有远程统一调光的CAN接口；
The panel has a local dimming function, and a CAN interface for remote unified dimming;
- 采用CAN通信，能进行远距离双向呼叫和应答；
Using CAN communication, capable of reliable long distance two-way call and response;
- 具有多位置模式选择，可选择WHC/ECC、WHC/ER、ECC/ER模式；
With multi-position mode options, operators can choose WHC/ECC, WHC/ER or ECC/ER mode;
- 采用主备电双路供电，自动切换，保证系统稳定持续工作，并且具有主电失电报警功能；
With Main and standby two power supplies which switch automatically to ensure the steady and continuous working of the system, also with main power failure alarm function;
- 具有外部声光报警器或电铃接口，便于报警延伸；
With external sound and light alarm or electric bell interface, easy for alarm extension;
- 具有错向报警功能；
With misorientation alarm;
- 具有对外通信接口和VDR接口。
With external communication interface and VDR interface.

产品组成

Product composition

- 主机传令钟发信器
Marine engine telegraph transmitter
- 主机传令钟收信器
Marine engine telegraph receiver

- 电源控制模块
Power supply control module
- 报警电笛
Alarm siren

技术指标

Technical index

工作电压:

主电源: 单相AC220V±10%, 50/60Hz
或DC24V±20%

备用电源: DC24V±20%

Working voltage:

Main power supply: single-phase AC220V±10%, 50/60Hz
or DC24V±20%

Standby power supply: DC24V±20%

操纵命令:

十一档: 进一、进二、进三、进四、退一、退二、退三、退四及完车、备车和停车

十三档: 进一、进二、进三、进四、进五、退一、退二、退三、退四、退五及完车、备车和停车

Operation commands:

11 gears: Ahead 1, Ahead 2, Ahead 3, Ahead 4, Astern 1, Astern 2, Astern 3, Astern 4, Finish Engine, Standby Engine and Stop

13 gears: Ahead 1, Ahead 2, Ahead 3, Ahead 4, Ahead 5, Astern 1, Astern 2, Astern 3, Astern 4, Astern 5, Finish Engine, Standby Engine and Stop

报警信息: 主电失电、错向

Alarm information: main power failure, misorientation

通信接口: 2路CAN、2路RS485 (符合IEC61162标准)

Communication interface: 2-way CAN, 2-way RS485 (in compliance with IEC61162)

环境温度: -10°C~55°C

Working temperature: -10°C~55°C

安装方式: 嵌入式、壁挂式

Installation: flush-type, wall-mounted type

防护等级: IP20 (嵌入式)、IP44 (壁挂式)

Protection grade: IP20 (flush-type), IP44 (wall-mounted type)

产品标准尺寸见下表:

Product standard sizes are shown in the following table:

设备名称 Equipment name	外形尺寸mm Outline dimensions (mm)			安装尺寸mm Installation dimensions (mm)		备注 Remarks
	宽 W	高 H	深 D	宽 W	高 H	
主机传令钟发信器 Marine engine telegraph transmitter	192	288	50	167	263	Fig.1
主机传令钟收信器 Marine engine telegraph receiver	192	288	50	167	263	Fig.2
主机传令钟收信器 Marine engine telegraph receiver	250	300	120	270	260	Fig.3
电源控制模块 Power supply control module	400	400	210	342	432	Fig.4

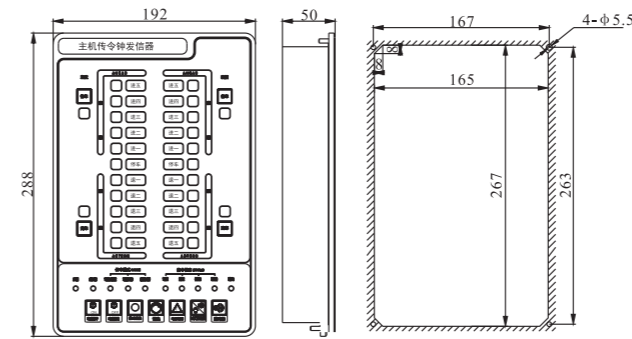


Fig.1

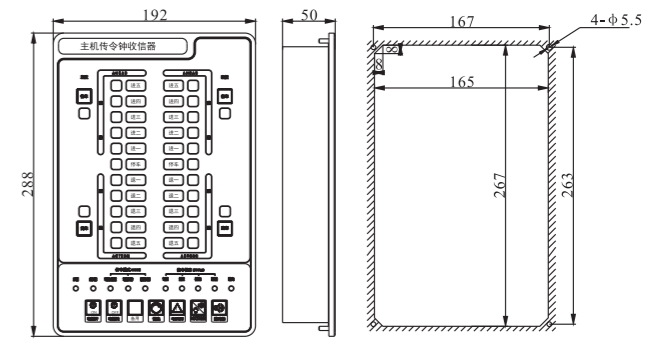


Fig.2

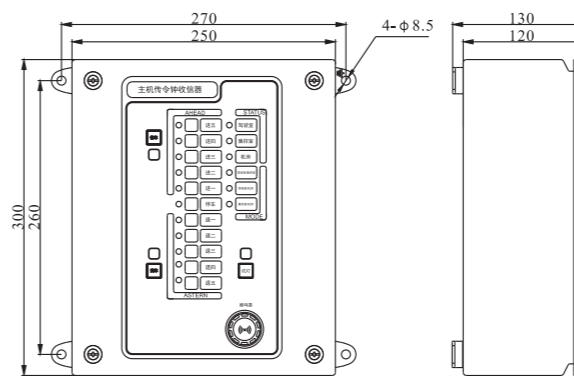


Fig.3

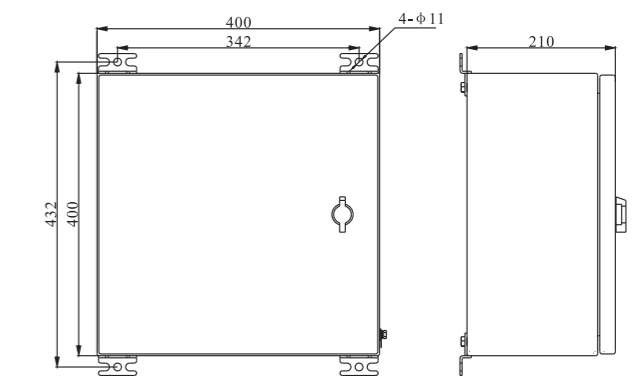


Fig.4

型号命名

Model naming

产品型号 主机传令钟系统 Product model: Marine engine telegraph system	EET	-	□	□	/□
组成设备 T:发信器 R:收信器 EPU:电源控制模块 Equipment composition: T:transmitter R:receiver EPU:power supply control module					
指令数 11:11档(4进4退) 13:13档(5进5退) Number of commands: 11:11 gears (4-forward 4-backward) 13:13 gears (5-forward 5-backward)					
安装方式 Q:嵌入式 B:壁挂式 Installation: Q: Flush-type B: Wall-mounted type					

选型说明

Selection description

例: EET-T11/Q

表示: 11档的嵌入式车钟发信器

For example: EET-T11/Q

It means: 11-gear flush-type telegraph transmitter

系统图

System diagram

